

# Pentium II

---

**82440 FX PCI Mainboard  
User's Guide &  
Technical Reference  
*6KA2/A5***



**SOYO**<sup>TM</sup>

---

## **About This Guide**

This User's Guide is for assisting system manufacturers and end users in setting up and installing the mainboard. Information in this guide has been carefully checked for reliability; however, no guarantee is given as to the correctness of the contents. The information in this document is subject to change without notice.

## **Copyright Notice**

Copyright 1997, Soyo Computer Inc. All rights reserved. This manual is copyrighted by Soyo Computer Inc. You may not reproduce, transmit, transcribe, store in a retrieval system, or translate into any language, in any form or by any means, electronic, mechanical, magnetic, optical, chemical, manual, or otherwise, any part of this publication without express written permission of Soyo Computer Inc.

## **Trademarks**

Soyo is a registered trademark of Soyo Computer Inc. All trademarks are the property of their owners.

## **Disclaimer**

Soyo Computer Inc. makes no representations or warranties regarding the contents of this manual. We reserve the right to revise the manual or make changes in the specifications of the product described within it at any time without notice and without obligation to notify any person of such revision or change. The information contained in this manual is provided for general use by our customers. Our customers should be aware that the personal computer field is the subject of many patents. Our customers should ensure that they take appropriate action so that their use of our products does not infringe upon any patents. It is the policy of Soyo Computer Inc. to respect the valid patent rights of third parties and not to infringe upon or assist others to infringe upon such rights.

## **Restricted Rights Legend**

Use, duplication, or disclosure by the Government is subject to restrictions set forth in subparagraph (c)(1)(ii) of the Rights in Technical Data and Computer Software clause at 252.277-7013.

## **Product Rights**

Product mentioned in this manual are mentioned for identification purpose only. Product names appearing in this manual may or may not be registered trademarks or copyrights of their respective companies.

If you need any further information, please come to our home page on internet. The address is "<http://www.soyo.com.tw>".

**Edition:** May 1997

**Version 1.0**

**6KA2/A5 SERIAL**

# Table of Contents

|  |           |
|--|-----------|
| <b>Chapter 1: Introduction .....</b>                                     | <b>1</b>  |
| Key Features .....   | 1         |
| Unpacking the Mainboard .....  | 2         |
| Electrostatic Discharge Precautions .....                                | 2         |
| Mainboard Layout w/ Default Settings .....                               | 3         |
| <b>Chapter 12 Hardware Setup .....</b>                                   | <b>5</b>  |
| Jumpers .....  | 5         |
| J23: Sleep Switch Connector Enable/Disable (SMI) .....                   | 5         |
| JP5: CMOS Clear Jumper .....   | 5         |
| JP40: EMI Ground Jumper .....  | 5         |
| JP13: Bus Fraction Core/Bus Ratio Select Jumper .....                    | 6         |
| CPU Type Configuration .....   | 7         |
| Memory Configuration .....   | 11        |
| Multi I/O Port Addresses .....   | 11        |
| Connectors .....   | 12        |
| ATX PW — ATX Power Supply Connectors .....                               | 12        |
| KB1 – PS/2 Keyboard Connector .....                                      | 12        |
| PS2 – PS/2 Mouse Connector .....   | 12        |
| IR – IR Connector .....  | 12        |
| J17 – Keylock & Power LED Connector .....                                | 13        |
| J18 – Speaker Connector .....  | 13        |
| J19 – Hardware Reset Control .....                                       | 13        |
| IDE1/IDE2 – On-board Primary/Secondary IDE HDD<br>Connectors .....       | 13        |
| COM1/COM2 Connectors .....   | 13        |
| J24 – HDD LED Connectors .....   | 13        |
| FDC Connector .....  | 13        |
| LPT1 – Parallel Port Connector .....                                     | 13        |
| USB – Universal Serial Bus Connector (Optional) .....                    | 13        |
| VRM (Voltage Regulator Module) Socket .....                              | 14        |
| PW1 – ATX Power Supply On/Off Switch Connector<br>(Momentary Type) ..... | 14        |
| JP43: CPU Cooling Fan Connector .....                                    | 14        |
| Slot 1 Installation Guide .....  | 15        |
| <b>Chapter 3: BIOS Setup .....</b>                                       | <b>20</b> |
| Standard CMOS Setup .....  | 21        |
| BIOS Features Setup .....  | 22        |
| Chipset Features Setup .....   | 24        |
| Power Management Setup .....   | 27        |
| PNP/PCI Configuration Setup .....  | 29        |

|                              |    |
|------------------------------|----|
| Load Setup Defaults.....     | 30 |
| Load BIOS Defaults.....      | 31 |
| Integrated Peripherals ..... | 31 |
| Supervisor Password .....    | 34 |
| User Password .....          | 35 |
| IDE HDD Auto Detection ..... | 36 |

**Chapter 4: Drivers Installation Guide ..... 37**

|                            |    |
|----------------------------|----|
| MS-DOS/WINDOW/WFW .....    | 37 |
| WINDOWS NT3.5/4.0.....     | 37 |
| WINDOWS 95 .....           | 38 |
| NOVELL 3.X&4.X .....       | 38 |
| SCO UNIX .....             | 38 |
| SCO UNIX 5.0 .....         | 39 |
| OS/2 2.0 and WARP 3.X..... | 40 |

# 1 Introduction

The 82440 FX PCI mainboard is a high-performance ATX architecture system board that supports Pentium II family CPUs. This mainboard is fully compatible with industry standards, and adds many technical enhancements.

## Key Features

---

- Processor supports:
  - Pentium II CPU up to 66 MHz host bus frequency (200 ~ 300 MHz)
  - **auto detection of CPU voltage**
  - **Slot 1 and VRM support**
- DRAM controller:
  - **supports 6 strips of Fast-Page Mode and EDO, Burst EDO SIMM (both symmetrical and asymmetrical addressing)**
  - supports auto detection of memory type
  - **supports ECC or Parity configuration**
  - has onboard memory configurations from 8MB to 768MB
  - supports “Table-Free” DRAM configuration in any SIMM bank
- BUS controller:
  - complies with the PCI specifications v2.1
  - four 32-bit PCI slots (Masters), three ISA slots, and 4-layer PCB
  - **supports Universal Serial Bus—USB (Optional)**
- Peripheral controller:
  - System BIOS built-in NCR4.0 SCSI/SY-S8115 SCSI/SY-V325-2M Card BIOS and “Plug and Play” function
  - onboard built-in PCI Master IDE controller and floppy controller
  - onboard supports for two high speed UARTS (w/i 16550 FIFO) and Multimode parallel port for Standard, Enhanced (EPP) and high speed (ECP) modes, PS/2 mouse function
  - onboard supports FLASH Memory for easy upgrade BIOS
  - **onboard supports IR function.**

## Unpacking the Mainboard

---

The mainboard package contains:

- The 82440FX Mainboard
- This User's Guide
- One Triones IDE Bus Master Drivers Diskette

*Note: Do not unpack the mainboard until you are ready to install it.*

Follow the precautions below while unpacking the mainboard.

1. Before handling the mainboard, ground yourself by grasping an unpainted portion of the system's metal chassis.
2. Remove the mainboard from its anti-static packaging and place it on a grounded surface, component side up.
3. Check the mainboard for damage. If any chip appears loose, press carefully to seat it firmly in its socket.

Do not apply power if the mainboard appears damaged. If there is damage to the board contact your dealer immediately.

## Electrostatic Discharge Precautions

---

Make sure you ground yourself before handling the mainboard or other system components. Electrostatic discharge can easily damage the components. Note that you must take special precaution when handling the mainboard in dry or air-conditioned environments.

Take these precautions to protect your equipment from electrostatic discharge:

- Do not remove the anti-static packaging until you are ready to install the mainboard and other system components.
- Ground yourself before removing any system component from its protective anti-static packaging. To ground yourself grasp the expansion slot covers or other unpainted portions of the computer chassis.
- Frequently ground yourself while working, or use a grounding strap.
- Handle the mainboard by the edges and avoid touching its components.

## Mainboard Layout w/ Default Settings

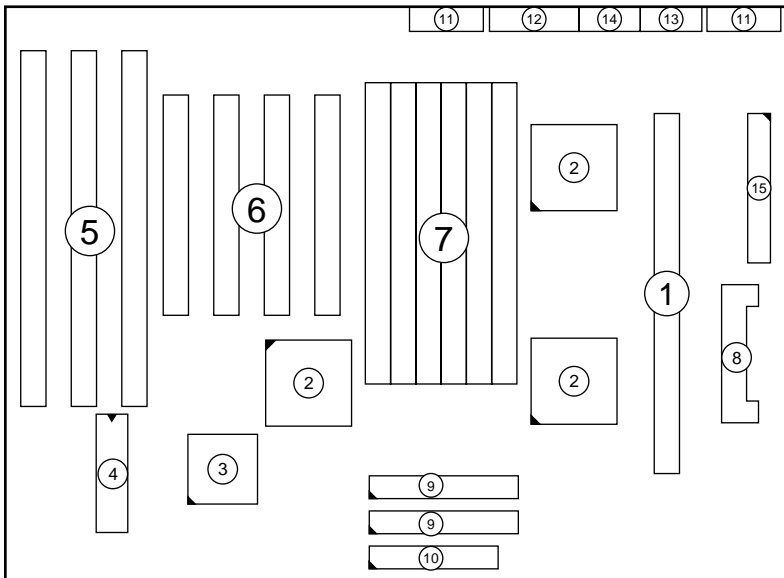


Figure 1-1. Mainboard Layout

- |                       |                             |
|-----------------------|-----------------------------|
| 1. Slot 1 for PII CPU | 9. IDE1/IDE2 Connector      |
| 2. 82440FX Chipset    | 10. Floppy Connector        |
| 3. Super I/O Chip     | 11. COM1/COM2 Connector     |
| 4. PnP FLASH BIOS     | 12. Parallel Port Connector |
| 5. ISA Slot           | 13. PS/2 Mouse Connector    |
| 6. PCI Slot           | 14. PS/2 Keyboard Connector |
| 7. SIMM Memory Bank   | 15. ATX Power Connector     |
| 8. VRM SOCKET         |                             |

Default settings are as follows: Pentium II 233MHz CPU, On-board PCI Bus IDE Enabled, FDC Enabled, 2 high speed UARTS Enabled (w/ 16550 FIFO), 1 EPP/ECP port (ECP + EPP mode), and ATX Power Supply.

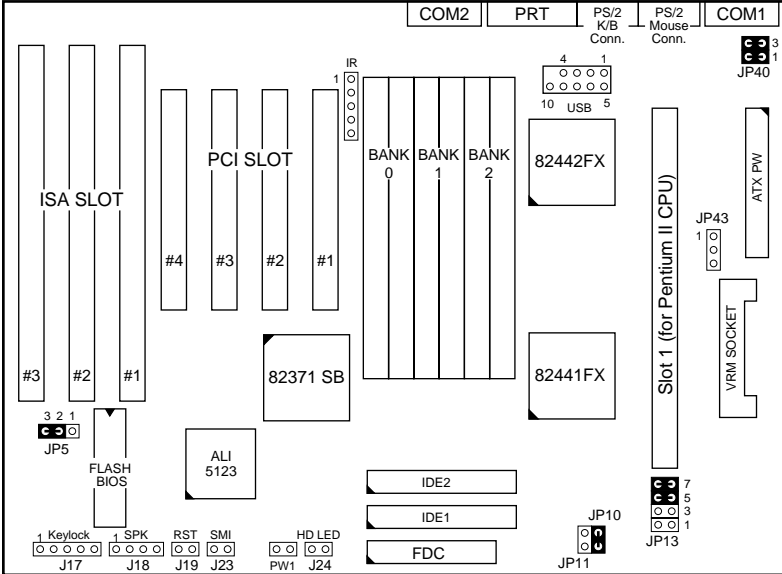


Figure 1-2. Mainboard Default Setting

**Important:** Make sure the system is well ventilated to prevent overheating and ensure system stability.



# 2 Hardware Setup

This chapter explains how to configure the mainboard's hardware. After you install the mainboard, you can set jumpers, install memory on the mainboard, and make case connections. Refer to this chapter whenever you upgrade or reconfigure your system.

---

**CAUTION:** *Turn off power to the mainboard, system chassis, and peripheral devices before performing any work on the mainboard or system.*

---

## Jumpers



---

### J23: Sleep Switch Connector Enable/Disable (SMI)

Toggle this jumper to force the system into power saving (Green) mode. Any hardware IRQ signal makes the system wakeups.

### JP5: CMOS Clear Jumper

Clear the CMOS memory by momentarily shorting this jumper; then open the jumper to retain new settings.


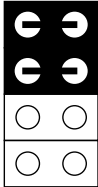


| CMOS Setting                  | JP5   |
|-------------------------------|---|
| Retain CMOS data<br>(default) | 3 2 1<br>  |
| Clear CMOS data               | 3 2 1<br> |

### JP40: EMI Ground Jumper

This jumper is designed for eliminating the EMI signals. Short (default) or open pin1-2 or pin3-4 together when is necessary.

**JP13: Bus Fraction Core/Bus Ratio Select Jumper**

Set this jumper according to your CPU clock.

| Ratio             | Pentium II Family    | JP13   |
|-------------------|----------------------|--|
| 3x                | Pentium II – 200 MHz |   |
| 3.5x<br>(default) | Pentium II – 233 MHz |   |
| 4x                | Pentium II – 266 MHz |   |
| 4.5x              | Pentium II – 300 MHz |  |

## CPU Type Configuration

Set the mainboard's CPU jumpers JP10, JP11, and JP13 according to CPU type as described below.

### Pentium II – 200 CPU Settings (3.0 x clock)

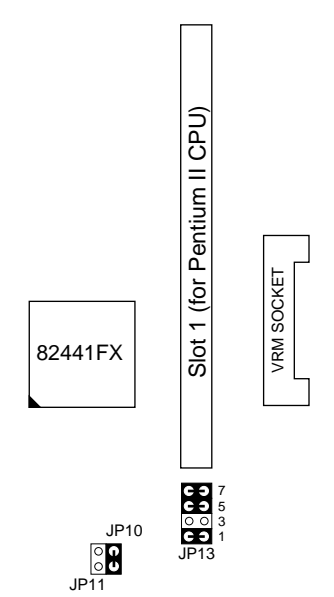
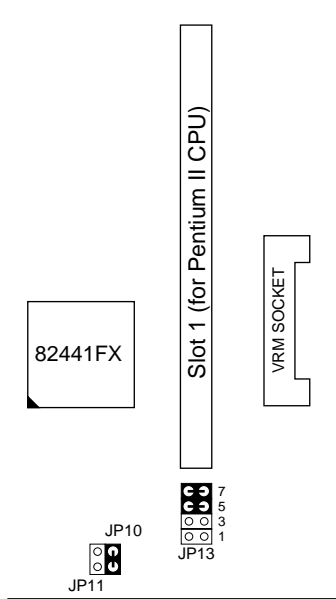


Figure 2-1-1 CPU Jumper Settings

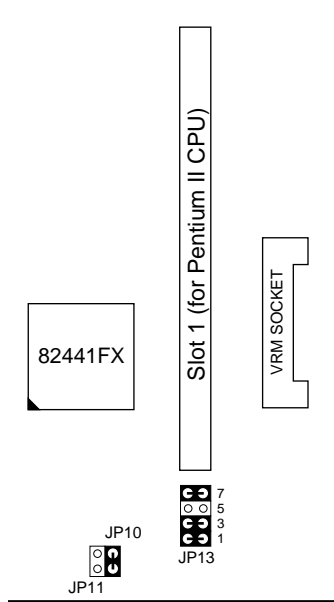
*Note: You must equip the CPU with a fan and heat sink for system stability.*

**Pentium II – 233 CPU Settings (3.5 x clock)**

*Figure 2-1-2. CPU Jumper Settings*

*Note: You must equip the CPU with a fan and heat sink for system stability.*

**Pentium II – 266 CPU Settings (4.0 x clock)**



*Figure 2-1-3. CPU Jumper Settings*

*Note: You must equip the CPU with a fan and heat sink for system stability.*

## Pentium II – 300 CPU Settings (4.5 x clock)

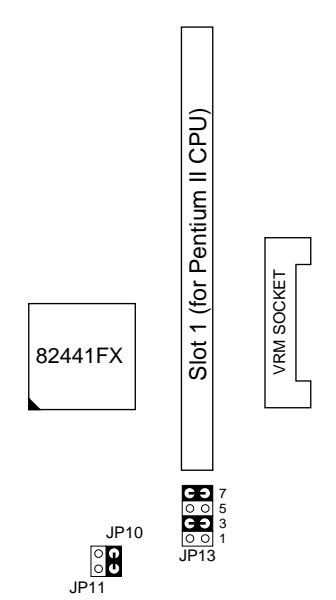


Figure 2-1-4. CPU Jumper Settings

*Note: You must equip the CPU with a fan and heat sink for system stability.*

## Memory Configuration

The mainboard supports three banks of **72-pin Fast Page Mode/EDO/Burst EDO SIMM (with or without parity) and Fast Page Mode/EDO Unbuffered DIMM**. The mainboard requires SIMM of at least 70ns access time.

### Single-side SIMM

16MB = 4MB x 36(32)

64MB = 16MB x 36(32)

### Double-side SIMM

8MB = 2MB x 36(32)

32MB = 8MB x 36(32)

The mainboard supports **from 8 to 768 Mbytes** with no other restrictions on memory configurations. You can install DRAM in any combination without having to rely on a memory configuration table. Memory configuration is thus “**Table-Free**” in any bank.

*Note: You must install two strips of SIMM modules to complete a bank.*

## Multi I/O Port Addresses

Default settings for multi-I/O port addresses are shown in the table below.

| Port         | I/O Address | IRQ | Status    |
|--------------|-------------|-----|-----------|
| <b>LPT1*</b> | 378H        | 7   | ECP + EPP |
| <b>COM1</b>  | 3F8H        | 4   |           |
| <b>COM2</b>  | 2F8H        | 3   |           |

\* If default I/O port addresses conflict with other I/O cards (e.g. sound cards or I/O cards), you must adjust one of the I/O addresses to avoid address conflict. (You can adjust these I/O addresses from the BIOS.)

*Note: Some sound cards have a default IRQ setting for IRQ7, which may conflict with printing functions. If this occurs do not use sound card functions at the same time you print.*

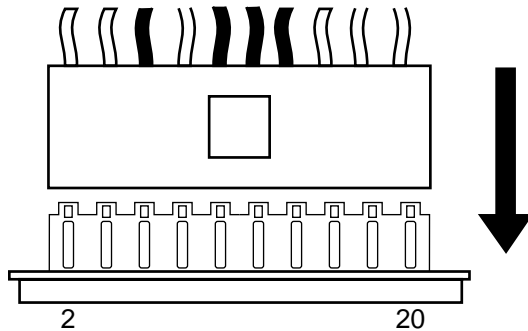
## Connectors

---

Attach the mainboard to case devices, or an external battery, via connectors on the mainboard. Refer to Figure 1-1 for connector locations and connector pin positions.

### ATX PW — ATX Power Supply Connectors

The motherboard provides an ATX power supply connector. It is a twenty-pin male header connector. Plug the connector from the power directly onto the board connector while making sure the pin1 is in its position. **You can only use either AT or ATX power.**



### KB1 – PS/2 Keyboard Connector

A six-pin female PS/2 keyboard connector is located at the rear of the board. Plug the keyboard jack into this connector.

### PS2 – PS/2 Mouse Connector

A six-pin female PS/2 mouse connector is located at the rear of the board. Plug the mouse jack into this connector and do remember to plug the jumper into “JPS2”.

### IR – IR Connector

A five-pin wafer connector is for connecting to the IR device. Use the device that has the ASKIR or HPSIR specification and choose ASKIR/HPSIR from the BIOS setup.



---

### **J17 – Keylock & Power LED Connector**

J17 is a connector for a lock that may be installed on the system case for enabling or disabling the keyboard. J17 also attaches to the case's Power LED. (Pin 1, 3 for power LED, pin 4, 5 for keylock.)

### **J18 – Speaker Connector**

Attach the system speaker to connector J18.

### **J19 – Hardware Reset Control**

Attach the Reset switch to J19. Closing the Reset switch restarts the system.

### **IDE1/IDE2 – On-board Primary/Secondary IDE HDD Connectors**

Attach on-board hard disk drives to these connectors.

### **COM1/COM2 Connectors**

Connect COM1/COM2 devices to these connectors.

### **J24 – HDD LED Connectors**

Attach on-board hard disk drive LEDs to this connector. The LED lights when an HDD is active.

### **FDC Connector**

Attach floppy cable to this connector.

### **LPT1 – Parallel Port Connector**

Attach parallel port cable to this connector.

### **USB – Universal Serial Bus Connector (Optional)**

Attach USB cable to these connectors for external USB device.

## VRM (Voltage Regulator Module) Socket

VRM socket is dedicated for different voltages of CPU. It changes the proper voltage automatically to meet the CPU's specification.

## PW1 – ATX Power Supply On/Off Switch Connector (Momentary Type)

Attach a two-pin switch to this connector for turning the ATX power supply on/off.

## JP43: CPU Cooling Fan Connector

This 3-pins connector provides 12V power for the CPU cooling fan which matches the pin assignment of this connector. If you enable the Suspend Mode function in BIOS setup, this fan will stop when the system is into the suspend mode.

| CPU Cooling Fan Connector<br>(Pin Assignment) |              |
|---|--------------|
| ○   | 1 (GND)      |
| ○   | 2 (12V)      |
| ○   | 3 (Reserved) |

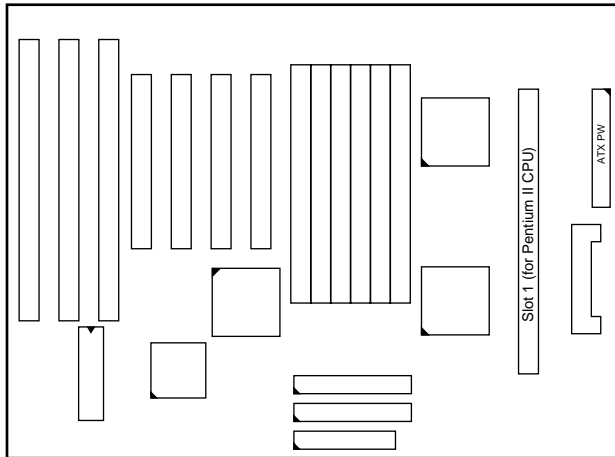
*Note: Make sure the pin assignment of our CPU Cooling Fan is matched with this connector before connecting it, otherwise, you may damage either the mainboard or the cooling fan.*

## Slot 1 Installation Guide

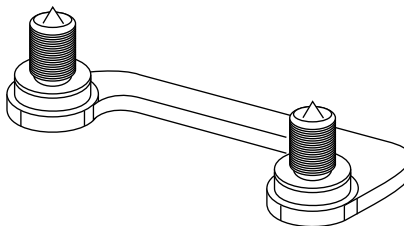
This mainboard provides a non-boxed Pentium II CPU retention set to secure the CPU on this board. Follow the steps below to secure this type of CPU on to your motherboard.

### Step 1:

Find the ATX PW and the Slot 1 on the board and set the board in the direction as follows before doing any installation.

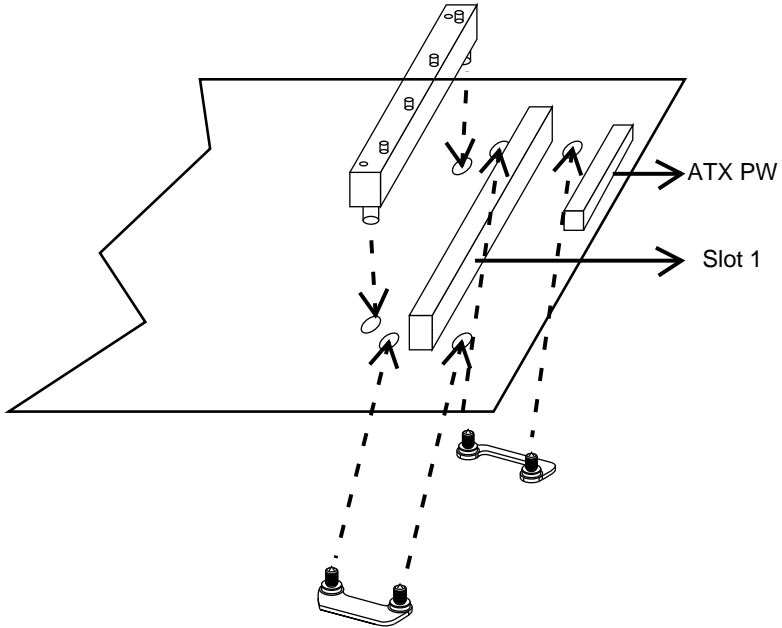


Install the 2 pairs of screws, as shown in the following figure, from the bottom of the motherboard upward onto the mainboard.



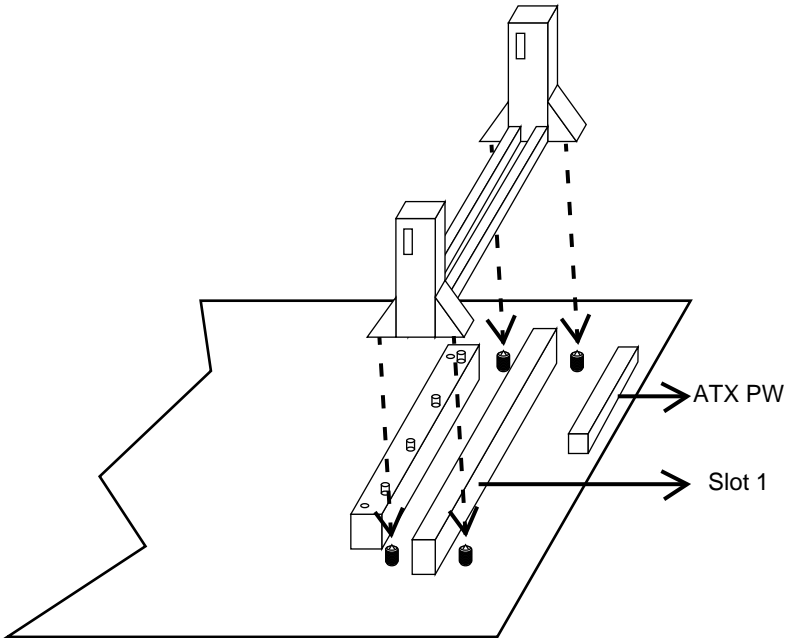
**Step 2:**

Insert the supporting base, which is shown below, into the two holes directly to the left of the 2 sets of screws that have just been inserted on to the board.



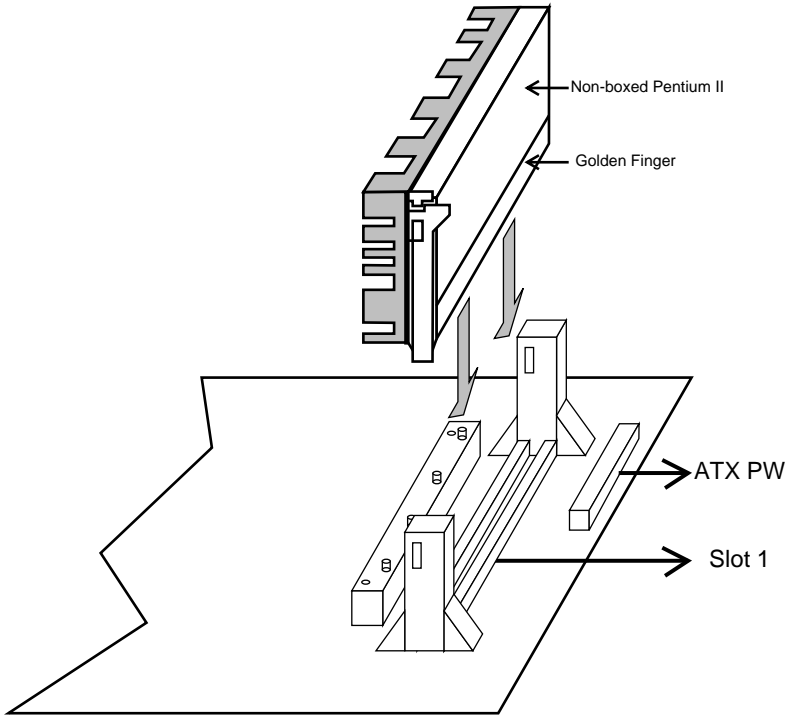
**Step 3:**

Set the retention clip right on the top of the 2 sets of screws which are along the sides of Slot1 and then tighten the 4 screws on the retention clip.



**Step 4:**

Insert the CPU into the retention clip and notice that the heat sink is on the left hand side of the board. Lock the two latches on the sides of the CPU to secure the CPU.

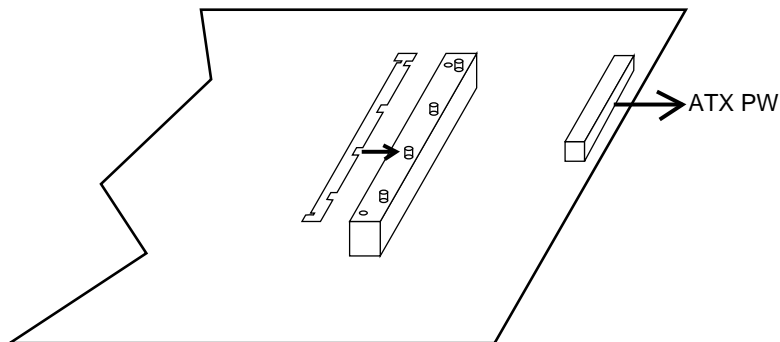


**Step 5:**

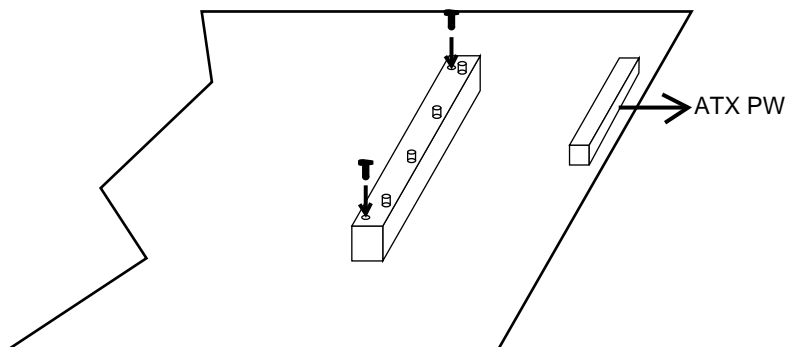
Insert the clip portion of the CPU supporter, which is shown below, so that the heat sink can sit on the top of the whole CPU supporter.



*Top View of CPU Support Clip*

**Step 6:**

Insert the 2 latches into the two holes of the supporting base and then turn them 90° to secure the CPU.



# 3 BIOS Setup

The mainboard's BIOS setup program is the ROM PCI/ISA BIOS from Award Software Inc. Enter the Award BIOS program's Main Menu as follows:

1. Turn on or reboot the system. After a series of diagnostic checks, you are asked to press DEL to enter Setup.
2. Press the <DEL> key to enter the Award BIOS program and the main screen appears:

ROM PCI/ISA BIOS  
CMOS SETUP UTILITY  
AWARD SOFTWARE, INC.

|                               |                           |
|-------------------------------|---------------------------|
| STANDARD CMOS SETUP           | INTEGRATED PERIPHERALS    |
| BIOS FEATURES SETUP           | SUPERVISOR PASSWORD       |
| CHIPSET FEATURES SETUP        | USER PASSWORD             |
| POWER MANAGEMENT SETUP        | IDE HDD AUTO DETECTION    |
| PNP/PCI CONFIGURATION         | SAVE & EXIT SETUP         |
| LOAD SETUP DEFAULTS           | EXIT WITHOUT SAVING       |
| Esc : Quit                    | ↑ ↓ → ← : Select Item     |
| F10 : Save & Exit Setup       | (Shift) F2 : Change Color |
| Time, Date, Hard Disk Type... |                           |

3. Choose an option and press <Enter>. Modify the system parameters to reflect the options installed in the system. (See the following sections.)
4. Press <ESC> at anytime to return to the Main Menu.
5. In the Main Menu, choose "SAVE AND EXIT SETUP" to save your changes and reboot the system. Choosing "EXIT WITHOUT SAVING" ignores your changes and exits the program.

The Main Menu options of the Award BIOS are described in the sections that follow.



## Standard CMOS Setup

Run the Standard CMOS Setup as follows.

1. Choose "STANDARD CMOS SETUP" from the Main Menu. A screen appears.

```
ROM PCI/ISA BIOS
STANDARD CMOS SETUP
AWARD SOFTWARE, INC.
```

| Date (mm:dd:yy) : Fri, Feb 1 1995 |        |                        |      |                |         |                      |        |      |
|-----------------------------------|--------|------------------------|------|----------------|---------|----------------------|--------|------|
| Time (hh:mm:ss) : 7 : 30 : 33     |        |                        |      |                |         |                      |        |      |
| HARD DISKS                        | TYPE   | SIZE                   | CYLS | HEAD           | PRECOMP | LANDZ                | SECTOR | MODE |
| Primary Master                    | : None | 0                      | 0    | 0              | 0       | 0                    | 0      | ---- |
| Primary Slave                     | : None | 0                      | 0    | 0              | 0       | 0                    | 0      | ---- |
| Secondary Master                  | : None | 0                      | 0    | 0              | 0       | 0                    | 0      | ---- |
| Secondary Slave                   | : None | 0                      | 0    | 0              | 0       | 0                    | 0      | ---- |
| Drive A : 1.44M, 3.5 in.          |        |                        |      |                |         |                      |        |      |
| Drive B : None                    |        |                        |      |                |         |                      |        |      |
| Video : EGA/VGA                   |        |                        |      |                |         |                      |        |      |
| Halt On : All Errors              |        |                        |      |                |         |                      |        |      |
|                                   |        | Base Memory: 640K      |      |                |         |                      |        |      |
|                                   |        | Extended Memory: 3328K |      |                |         |                      |        |      |
|                                   |        | Other Memory: 128K     |      |                |         |                      |        |      |
|                                   |        | Total Memory: 4096K    |      |                |         |                      |        |      |
| Esc : Quit                        |        | ↑ ↓ → ←                |      | : Select Item  |         | PU/PD/+/- : Modify   |        |      |
| F11 : Help                        |        | (Shift) F2             |      | : Change Color |         | F3 : Toggle Calendar |        |      |

2. Use arrow keys to move between items and select values. Modify selected fields using PgUp/PgDn/+/- keys. Some fields let you enter values directly.

- |   |  |
|---|--|
| <b>Date (mm/dd/yy)</b>                        | Type the current date.   |
| <b>Time (hh:mm:ss)</b>                        | Type the current time.   |
| <b>Primary (Secondary) Master &amp; Slave</b> | Choose from the standard hard disk types 1 to 46. Type 47 is user definable. If a hard disk is not installed choose "Not installed." (default) |
| <b>Drive A &amp; B</b>                        | Choose 360KB , 5 1/4 in.,<br>1.2MB , 5 1/4 in.,<br>720KB , 3 1/2 in.,<br>1.4M , 3 1/2 in.(default),<br>2.88 MB, 3 1/2 in. or<br>Not installed  |
| <b>Video</b>                                  | Choose Monochrome,<br>Color 40x25,<br>VGA/EGA (default),<br>Color 80x25  |

3. When you finish, press the <ESC> key to return to the Main Menu.

## BIOS Features Setup

Run the BIOS Features Setup as follows.

1. Choose “BIOS FEATURES SETUP” from the Main Menu and a screen with a list of items appears. (**The screen below shows the BIOS default settings.**)

| ROM PCI/ISA BIOS<br>BIOS FEATURES SETUP<br>AWARD SOFTWARE, INC. |            |                                   |                       |
|---|------------|-----------------------------------|-----------------------|
| CPU Internal Cache  | : Enabled  | Video BIOS Shadow                 | : Enabled             |
| External Cache  | : Enabled  | C8000-CBFFF Shadow                | : Disabled            |
| Quick Power on Self Test  | : Enabled  | CC000-CFFFF Shadow                | : Disabled            |
| Boot Sequence   | : A,C      | D0000-D3FFF Shadow                | : Disabled            |
| Swap Floppy Drive   | : Disabled | D4000-D7FFF Shadow                | : Disabled            |
| Boot Up NumLock Status  | : On       | D8000-DBFFF Shadow                | : Disabled            |
| Gate A20 Option   | : Fast     | DC000-DFFFF Shadow                | : Disabled            |
| Typeomatic Rate Setting   | : Disabled |                                   |                       |
| Typeomatic Rate (Chars/Sec)                                     | : 6        | ESC : Quit                        | ↑ ↓ → ← : Select Item |
| Typeomatic Delay (Msec)   | : 250      | F1 : Help                         | PU/PD/+/- : Modify    |
| Security Option   | : Setup    | F5 : Old Values (Shift)F2 : Color |                       |
| PCI/VGA Palette Snoop   | : Disabled | F6 : Load BIOS Defaults           |                       |
| OS Select for DRAM >64MB  | : Non-OS2  | F7 : Load Setup Defaults          |                       |

2. Use the arrow keys to move between items and to select values. Modify the selected fields using the PgUp/PgDn/+/- keys. <F> keys are explained below:

<F1>: “Help” gives options available for each item.

Shift <F2>: Change color.

<F5>: Get the old values. These values are the values with which the user started the current session.

<F6>: Load all options with the BIOS Setup default values.

<F7>: Load all options with the Power-On default values.

A short description of screen items follows:

**CPU Internal Cache** This option enables/disables the CPU’s internal cache. (The Default setting is Enabled.)

**External Cache** This option enables/disables the external cache memory. (The Default setting is Enabled.)

**Quick Power On Self Test** Enabled provides a fast POST at boot-up .

**Boot Sequence** The default setting attempts to first boot from drive A: and then from hard disk C:. You can reverse this sequence with “C: A:”, but then drive A: cannot boot directly.

|                                     |  |
|-------------------------------------|--|
| <b>Swap Floppy Drive</b>            | Enabled changes the sequence of the A: and B: drives. (The Default setting is Disabled.)   |
| <b>Boot Up Num Lock Status</b>      | Choose On or Off. On puts numeric keypad in Num Lock mode at boot-up. Off puts this keypad in arrow key mode at boot-up.   |
| <b>Gate A20 Option</b>              | Choose Fast (default) or Normal. Fast allows RAM accesses above 1MB using the fast gate A20 line.  |
| <b>Typematic Rate Setting</b>       | Enable this option to adjust the keystroke repeat rate.  |
| <b>Typematic Rate (Chars/Sec)</b>   | Choose the rate a character keeps repeating.   |
| <b>Typematic Delay (Msec)</b>       | Choose how long after you press a key that a character begins repeating.   |
| <b>Security Option</b>              | Choose Setup or System. Use this feature to prevent unauthorized system boot-up or use of BIOS Setup.<br><br>“System” – Each time the system is booted the password prompt appears.<br><br>“Setup” – If a password is set, the password prompt only appears if you attempt to enter the Setup program. |
| <b>PCI/VGA Palette Snoop</b>        | Enabled: The color of the monitor may be incorrect if uses with MPEG card. Enable this option to make the monitor normal.<br><br>Disabled: Default setting.  |
| <b>OS Select for DRAM &gt;64MB</b>  | OS2: Choosing this when you are using OS/2 operation system.<br><br>Non-OS/2: Choosing this when you are using non-OS/2 operation system.  |
| <b>Video or Adapter BIOS Shadow</b> | BIOS shadow copies BIOS code from slower ROM to faster RAM. BIOS can then execute from RAM. These 16K segments can be shadowed from ROM to RAM. BIOS is shadowed in a 16K segment if it is enabled and it has BIOS present.  |

- After you have finished with the BIOS Features Setup program, press the <ESC> key and follow the screen instructions to save or disregard your settings.

## Chipset Features Setup

The Chipset Features Setup option changes the values of the chipset registers. These registers control system options in the computer.

*Note:* Change these settings only if you are familiar with the Chipset. Run the Chipset Features Setup as follows.

1. Choose “CHIPSET FEATURES SETUP” from the Main Menu and the following screen appears. (The screen below shows default settings.)

| ROM PCI/ISA BIOS<br>CHIPSET FEATURES SETUP<br>AWARD SOFTWARE, INC. |            |                                   |                       |
|--|------------|-----------------------------------|-----------------------|
| Auto Configuration   | : Enabled  | 8 Bit I/O Recovery Time           | : 1                   |
| DRAM Speed Selection   | : 70 ns    | 16 Bit I/O Recovery Time          | : 1                   |
| DRAM RAS# Precharge Time   | : 3        | Memory Hole At 15M-16M            | : Disabled            |
| MA Additional Wait State   | : Disabled |                                   |                       |
| RAS# To CAS# Delay   | : Enabled  |                                   |                       |
| DRAM Read Burst (B/E/F)  | : x2/3/4   |                                   |                       |
| DRAM Write Bursts (B/E/F)  | : x3/3/3   |                                   |                       |
| ISA Bus Clock  | : PCICLK/4 |                                   |                       |
| DRAM Refresh Queue   | : Enabled  |                                   |                       |
| DRAM RAS Only Refresh  | : Disabled |                                   |                       |
| DRAM ECC/PARITY Select   | : Disabled |                                   |                       |
| Read-Around-Write  | : Enabled  |                                   |                       |
| PCI Burst Write Combine  | : Enabled  |                                   |                       |
| PCI-TO-DRAM Pipeline   | : Enabled  | ESC : Quit                        | ↑ ↓ → ← : Select Item |
| CPU-TO-PCI Write Post  | : Enabled  | F1 : Help                         | PU/PD/+/- : Modify    |
| CPU-TO-PCI IDE Posting   | : Enabled  | F5 : Old Values (Shift)F2 : Color |                       |
| System BIOS Cacheable  | : Disabled | F6 : Load BIOS Defaults           |                       |
| Video RAM Cacheable  | : Disabled | F7 : Load Setup Defaults          |                       |

2. Use the arrow keys to move between items and select values. Modify selected fields using the PgUp/PgDn/+/- keys.

A short description of screen items follows:

**Auto Configuration** Enable this option (strongly recommended) and the system automatically sets all options on the left side of the screen (except cache update mode & BIOS cacheable).

**If this option is Enabled you must boot from Turbo mode.**

**DRAM Speed Selection** Choose the right speed to fit your DRAM’s spec. 82440HX chipset supports 50, 60, and 70ns DRAM timing.

**DRAM RAS# Precharge Time** Use the default setting.

---

|   |   |
|---|---|
| <b>MA Additional Wait State</b>                 | Use the default setting.  |
| <b>RAS# to CAS# Delay</b>                       | Use the default setting.  |
| <b>DRAM Read Burst (B/E/F)</b>                  | Use the default setting.  |
| <b>DRAM Write Burst (B/E/F)</b>                 | Use the default setting.  |
| <b>ISA Clock</b>                                | Use BIOS default setting or choose:<br><br>/4: for 60, 66MHz CPU Bus Frequency<br><br>/3: for 50, 55MHz CPU Bus Frequency.  |
| <b>DRAM Refresh Queue Turn-Around Insertion</b> | Use the default setting.  |
| <b>DRAM RAS only Refresh</b>                    | Use the default setting.  |
| <b>DRAM ECC/PARITY Select</b>                   | Disabled: Disable any memory check function (default).<br><br>Parity: Enable memory parity check function (when you have memory module with parity check function.)<br><br>ECC: Enable memory ECC function (when you have memory module with ECC function.) |
| <b>Read-Around-Write</b>                        | Use the default setting.  |
| <b>PCI Burst Write Combine</b>                  | Use the default setting.  |
| <b>PCI-TO-DRAM Pipeline</b>                     | Use the default setting.  |
| <b>CPU-TO-PCI Write Posting</b>                 | Use the default setting.  |
| <b>CPU-TO-PCI IDE Posting</b>                   | Use the default setting.  |

---

|                                |  |
|--------------------------------|--|
| <b>System BIOS Cacheable</b>   | Disabled: The ROM area F0000H-FFFFFH is not cached.<br>Enabled: The ROM area F0000H-FFFFFH is cacheable if cache controller is enabled.                                |
| <b>Video BIOS Cacheable</b>    | Disabled: The video BIOS C0000H-C7FFFH is not cached.<br>Enabled: The video BIOS C0000H-C7FFFH is cacheable if cache controller is enabled.                            |
| <b>8Bit I/O Recovery Time</b>  | Use the default setting.   |
| <b>16Bit I/O Recovery Time</b> | Use the default setting.   |
| <b>Memory Hole At 15M-16M</b>  | Choose Enabled or Disabled (default). Some interface cards will map their ROM address to this area. If this occurs, you should select Enabled, otherwise use Disabled. |

3. After you have finished with the Chipset Features Setup, press the <ESC> key and follow the screen instructions to save or disregard your settings.

## Power Management Setup

The Power Management Setup option sets the system's power saving functions.

Run the Power Management Setup as follows.

1. Choose "POWER MANAGEMENT SETUP" from the Main Menu and a screen with a list of items appears.

| ROM PCI/ISA BIOS<br>CMOS SETUP UTILITY<br>POWER MANAGEMENT SETUP |                  |
|--|------------------|
| Power Management   | : Disabled       |
| PM Control by APM  | : No             |
| Video Off Method   | : V/H SYNC+Blank |
| Doze Mode  | : Disabled       |
| Standby Mode   | : Disabled       |
| Suspend Mode   | : Disabled       |
| HDD Power Down   | : Disabled       |
| <b>** Wake Up Events In Doze &amp; Standby **</b>                |                  |
| IRQ3 (Wake-Up Event)   | : ON             |
| IRQ4 (Wake-Up Event)   | : ON             |
| IRQ8 (Wake-Up Event)   | : ON             |
| IRQ12 (Wake-Up Event)  | : ON             |
| <b>** Power Down &amp; Resume Events **</b>                      |                  |
| IRQ 3 (COM 2)  | : ON             |
| IRQ 4 (COM 1)  | : ON             |
| IRQ 5 (LPT 2)  | : ON             |
| IRQ 6 (Floppy Disk)  | : OFF            |
| IRQ 7 (LPT 1)  | : ON             |
| IRQ 8 (RTC Alarm)  | : OFF            |
| IRQ 9 (IRQ2 Redir)   | : ON             |
| IRQ 10 (Reserved)  | : ON             |
| IRQ 11 (Reserved)  | : ON             |
| IRQ 12 (PS/2 mouse)  | : ON             |
| IRQ 13 (Coprocessor)   | : ON             |
| IRQ 14 (Hard Disk)   | : ON             |
| IRQ 15 (Reserved)  | : ON             |
| ESC : Quit           ↑ ↓ → ←: Select Item                        |                  |
| F1 : Help            PU/PD/+/- : Modify                          |                  |
| F5 : Old Values (Shift)F2 : Color                                |                  |
| F6 : Load BIOS Defaults  |                  |
| F7 : Load Setup Defaults   |                  |

2. Use the arrow keys to move between items and to select values. Modify the selected fields using the PgUp/PgDn/+/- keys.

A short description of selected screen items follows:

### Power Management

Options are as follows:

- User Define** Let's you define the HDD and system power down times.
- Disabled** Disables the Green PC Features.
- Min Saving** Doze timer = 1 Hour  
Standby timer = 1 Hour  
Suspend timer = 1 Hour  
HDD Power Down = 15 Min
- Max Saving** Doze timer = 1 Min  
Standby timer = 1 Min  
Suspend timer = 1 Min  
HDD Power Down = 1 Min

---

|                              |  |
|------------------------------|--|
| <b>PM Control by APM</b>     | Choose Yes or No (default). APM stands for Advanced Power Management. To use APM, you must run “power.exe” under DOS v6.0 or later version.  |
| <b>Video Off Method</b>      | Choose V/H Sync+Blank (default), Blank screen, or DPMS for the selected PM mode.   |
| <b>Doze Mode</b>             | When the set time has elapsed, the BIOS sends a command to the system to enter doze mode (system clock drops to 33MHz). Time is adjustable from 1 Min to 1 Hour.   |
| <b>Standby Mode</b>          | The default is Disabled. Time is adjustable from 1 Min to 1 Hour.  |
| <b>Suspend Mode</b>          | The default is Disabled. Only an SL-Enhanced (or SMI) CPU can enter this mode. Time is adjustable from 1 Min to 1 Hour. Under Suspend mode, the CPU stops completely (no instructions are executed.)   |
| <b>HDD Power Down</b>        | When the set time has elapsed, the BIOS sends a command to the HDD to power down, which turns off the motor. Time is adjustable from 1 to 15 minutes. The default setting is Disabled. Some older model HDDs may not support this advanced function. |
| <b>IRQx (Wake-Up Events)</b> | The BIOS monitors these items for activity. If activity occurs from the Enabled item the system wakes up.  |
| <b>Power Down Activities</b> | The BIOS monitors these items for no activity. If no activity occurs from the Enabled item the system will enter power saving mode (Doze/Standby/Suspend/ HDD Power Down mode) .   |

3. After you have finished with the Power Management Setup, press the <ESC> key to return to the Main Menu.



## PNP/PCI Configuration Setup

This option sets the mainboard's PCI Slots. Run this option as follows:

1. Choose "PNP/PCI CONFIGURATION SETUP" from the Main Menu and the following screen appears. (The screen below shows default settings.)

ROM PCI/ISA BIOS  
PNP/PCI CONFIGURATION  
AWARD SOFTWARE, INC.

|                                     |  |
|-------------------------------------|--|
| Resources Controlled By : Manual    | PCI IRQ Activated By : Level               |
| Reset Configuration Data : Disabled | PCI IDE IRQ Map To : PCI-AUTO              |
|                                     | Primary IDE INT# : A                       |
|                                     | Secondary IDE INT# : B                     |
| IRQ-3 assigned to : Legacy ISA*     |  |
| IRQ-4 assigned to : Legacy ISA*     |  |
| IRQ-5 assigned to : PCI/ISA PnP*    |  |
| IRQ-7 assigned to : Legacy ISA*     |  |
| IRQ-9 assigned to : PCI/ISA PnP*    |  |
| IRQ-10 assigned to : PCI/ISA PnP*   |  |
| IRQ-11 assigned to : PCI/ISA PnP*   |  |
| IRQ-12 assigned to : PCI/ISA PnP*   |  |
| IRQ-14 assigned to : Legacy ISA*    |  |
| IRQ-15 assigned to : Legacy ISA*    |  |
| DMA-0 assigned to : PCI/ISA PnP*    |  |
| DMA-1 assigned to : PCI/ISA PnP*    |  |
| DMA-3 assigned to : PCI/ISA PnP*    |  |
| DMA-5 assigned to : PCI/ISA PnP*    |  |
| DMA-6 assigned to : PCI/ISA PnP*    |  |
| DMA-7 assigned to : PCI/ISA PnP*    |  |
|                                     | ESC : Quit           ↑ ↓ → ← : Select Item |
|                                     | F1 : Help            PU/PD/+/- : Modify    |
|                                     | F5 : Old Values (Shift)F2 : Color          |
|                                     | F6 : Load BIOS Defaults                    |
|                                     | F7 : Load Setup Defaults                   |

\*: These items will disappear when Resource Controlled. is Auto.

2. Use the arrow keys to move between items and select values. Modify selected fields using the PgUp/PgDn/+/- keys.

A short description of screen items follows:

|                                 |           |   |
|---------------------------------|-----------|---|
| <b>Resources Controlled By</b>  | Manual:   | BIOS doesn't manage PCI/ISA PnP card (i.e., IRQ) automatically. |
|                                 | Auto:     | BIOS auto manage PCI and ISA PnP card (recommended).            |
| <b>Reset Configuration Data</b> | Disabled: | Retain PnP configuration data in BIOS.                          |
|                                 | Enabled:  | Reset PnP configuration data in BIOS.                           |

|                                  |  |
|----------------------------------|--|
| <b>IRQX and DMAX assigned to</b> | Choose PCI/ISA PnP or Legacy ISA. If the first item is set to Manual, you could choose IRQX and DMAX assigned to PCI/ISA PnP card or ISA card.<br>PCI/ISA PnP: BIOS auto assigns IRQ/DMA to the device.<br>Legacy ISA: User assigns IRQ/DMA to the device. |
| <b>PCI IRQ Activated By</b>      | Choose Edge or Level. Most PCI trigger signals are Level. This setting must match the PCI card.  |
| <b>PCI IDE IRQ Map To</b>        | Select PCI-AUTO, ISA, or assign a PCI SLOT number (depending on which slot the PCI IDE is inserted). The default setting is PCI-AUTO. If PCI-AUTO does not work, then assign an individual PCI SLOT number.  |
| <b>Primary IDE INT#</b>          | Choose INTA#, INTB#, INTC#, or INTD#. The default setting is INTA#.  |
| <b>Secondary IDE INT#</b>        | Choose INTA#, INTB#, INTC#, or INTD#. The default setting is INTB#.  |

3. After you have finished with the PCI Slot Configuration, press the <ESC> key and follow the screen instructions to save or disregard your settings.

## Load Setup Defaults

---

This item loads the system values you have previously saved. Choose this item and the following message appears:

“Load SETUP Defaults (Y/N)? N”

To use the SETUP defaults, change the prompt to “Y” and press <Enter>.

*Note: The SETUP Defaults are optimized for the most stabilized performance.*

## Load BIOS Defaults

Choose this item and the following message appears:

“Load BIOS Defaults (Y/N)?N”

To use the BIOS defaults, change the prompt to “Y” and press <Enter>.

*Note: BIOS DEFAULTS values are adjusted for high performance. If you run into any problems after loading BIOS DEFAULTS, please load the SETUP DEFAULTS for the stable performance.*

## Integrated Peripherals

The Integrated Peripherals option changes the values of the chipset registers. These registers control system options in the computer.

*Note: Change these settings only if you are familiar with the Chipset.*

Run the Integrated Peripherals as follows.

1. Choose “Integrated Peripherals” from the Main Menu and the following screen appears. (The screen below shows default settings.,

| ROM PCI/ISA BIOS<br>INTEGRATED PERIPHERALS<br>AWARD SOFTWARE, INC. |                                       |
|--|---------------------------------------|
| IDE HDD Block Mode : Enabled                                       | USB Controller : Enabled              |
| IDE Primary Master PIO : Auto                                      |                                       |
| IDE Primary Slave PIO : Auto                                       |                                       |
| IDE Secondary Master PIO : Auto                                    |                                       |
| IDE Secondary Slave PIO : Auto                                     |                                       |
| On-Chip Primary PCI IDE: Enabled                                   |                                       |
| On-Chip Secondary PCI IDE: Enabled                                 |                                       |
| PCI Slot IDE 2nd Channel : Enabled                                 |                                       |
| Onboard FDD Controller : Enabled                                   |                                       |
| Onboard Serial Port 1 : 3F8/IRQ4                                   |                                       |
| Onboard Serial Port 2 : 2F8/IRQ3                                   |                                       |
| UART 2 Mode : Standard   |                                       |
| Onboard Parallel Port : 378H/IRQ7                                  |                                       |
| Onboard Parallel MODE : ECP/EPP                                    |                                       |
| ECP Mode Use DMA : 3   |                                       |
| Parallel Port EPP Type : EPP1.9                                    |                                       |
|  | ESC : Quit      ↑ ↓ → ← : Select Item |
|  | F1 : Help      PU/PD/+/- : Modify     |
|  | F5 : Old Values (Shift)F2 : Color     |
|  | F6 : Load BIOS Defaults               |
|  | F7 : Load Setup Defaults              |

2. Use the arrow keys to move between items and select values. Modify selected fields using the PgUp/PgDn/+/- keys.

A short description of screen items follows:

|   |   |
|---|---|
| <b>IDE HDD Block Mode</b>                     | Choose Enabled (default) or Disabled. Enabled invokes multi-sector transfer instead of one sector per transfer. Not all HDDs support this function.   |
| <b>IDE Primary Master PIO</b>                 | Choose Auto (default) or mode 0~4. Mode 0 is the slowest speed, and HDD mode 4 is the fastest speed. For better performance and stability, we suggest you use the Auto setting to set the HDD control timing. |
| <b>IDE Primary Slave PIO</b>                  |   |
| <b>IDE Secondary Master PIO</b>               |   |
| <b>IDE Secondary Slave PIO</b>                |   |
| <b>On-chip Primary/<br/>Secondary PCI IDE</b> | Enabled: Use the on-board IDE (default)<br>Disabled: Turn off the on-board IDE  |
| <b>PCI Slot IDE 2nd<br/>Channel</b>           | Choose Enabled (default) or Disabled. When Enabled is set, IRQ15 is dedicated for secondary IDE use. When Disabled is set, IRQ15 is released for other devices.   |
| <b>Onboard FDC Controller</b>                 | Enabled: Use the on-board floppy controller (default).<br>Disabled: Turn off the on-board floppy controller.  |
| <b>Onboard Serial Port 1</b>                  | Choose serial port 1 & 2's I/O address. Do not set port 1 & 2 to the same value except for Disabled.  |
| <b>Onboard Serial Port 2</b>                  |   |
|   | COM 1/3F8H   COM3/3E8H<br>COM 2/2F8H   COM4/2E8H<br>(default)   |
| <b>UART 2 Mode</b>                            | Standard: Use standard UART mode (default).<br>ASK IR: Use UART with ASK. IR function enable.<br>HPSIR: Use UART with HP.. Serial IR function enable.   |

|                               |   |
|-------------------------------|---|
| <b>Onboard Parallel Port</b>  | Choose the printer I/O address:<br>378H/IRQ7 (default), 3BCH/IRQ7,<br>278H/IRQ5                                       |
| <b>Onboard Printer Mode</b>   | Choose SPP, ECP, EPP/SPP, or ECP/EPP<br>mode. The mode depends on your<br>external device that connects to this port. |
| <b>ECP Mode Use DMA</b>       | Choose 3 (default) or 1 to select DMA3 or<br>DMA1 when using the ECP device.  |
| <b>Parallel Port EPP Type</b> | Choose EPP specification Ver. 1.7<br>(default) or 1.9.  |
| <b>USB Controller</b>         | Enable it when you are using the USB<br>device.   |

---

## Supervisor Password

---

Based on the setting you made in the “Security Option” of the “BIOS FEATURES SETUP”, this Main Menu item lets you configure the system so that a password is required every time the system boots or an attempt is made to enter the Setup program. Change the password as follows:

1. Choose “SUPERVISOR PASSWORD” in the Main Menu and press <Enter>. The following message appears:

**“Enter Password:”**

2. Enter a password and press <Enter>.  
(If you do not wish to use the password function, you can just press <Enter> and a “Password disabled” message appears. )
3. After you enter your password, the following message appears prompting you to confirm the new password:

**“Confirm Password:”**

4. Re-enter your password and then Press <ESC> to exit to the Main Menu.
5. You have the right to change any changeable settings in the “CMOS SETUP UTILITY.”

*Important: If you forget or lose the password, the only way to access the system is to set jumper JP5 to clear the CMOS RAM. All setup information is lost and you must run the BIOS setup program again.*

---

## User Password

---

Based on the setting you made in the “Security Option” of the “BIOS FEATURES SETUP”, this Main Menu item lets you configure the system so that a password is required every time the system boots or an attempt is made to enter the Setup program. Change the password as follows:

1. Choose “USER PASSWORD” in the Main Menu and press <Enter>. The following message appears:

**“Enter Password:”**

2. Enter a password and press <Enter>. (If you do not wish to use the password function, you can just press <Enter> and a “Password disabled” message appears.)
3. After you enter your password, the following message appears prompting you to confirm the new password:

**“Confirm Password:”**

4. Re-enter your password and then Press <ESC> to exit to the Main Menu.
5. You are not allowed to change any setting in “CMOS SETUP UTILITY” except change user’s password.

***Important: If you forget or lose the password, the only way to access the system is to set jumper JP5 to clear the CMOS RAM. All setup information is lost and you must run the BIOS setup program again.***

## IDE HDD Auto Detection

This Main Menu item automatically detects the hard disk type and configures the STANDARD CMOS SETUP accordingly.

*Note: This function is only valid for **IDE** hard disks.*

ROM PCI/ISA BIOS  
CMOS SETUP UTILITY  
AWARD SOFTWARE, INC.

| HARD DISKS       | TYPE   | SIZE | CYLS | HEAD | PRECOMP | LANDZ | SECTOR | MODE |
|------------------|--------|------|------|------|---------|-------|--------|------|
| Primary Master   | : None | 0    | 0    | 0    | 0       | 0     | 0      | ---- |
| Primary Slave    | : None | 0    | 0    | 0    | 0       | 0     | 0      | ---- |
| Secondary Master | : None | 0    | 0    | 0    | 0       | 0     | 0      | ---- |
| Secondary Slave  | : None | 0    | 0    | 0    | 0       | 0     | 0      | ---- |

Do you accept this drive C (Y/N)? N

ESC : Skip



# 4 Drivers Installation Guide

Triones IDE Bus Master Drivers Installation Guide is for Intel PIIX/PIIX3 Chipset.

## MS-DOS/WINDOW/WFW

- 1) You should install CD-ROM in secondary channel in Windows (WFW).
- 2) Change the current directory to a: or b:.
- 3) Under DOS command line prompt, run the SETUP directly.

After entering the setup utility, just follow the instructions of the setup.

## WINDOWS NT3.5/4.0

- 1) From the Program Manager, double click on “Windows NT Setup” in the Main group.
- 2) Select “Options/Add/Remove SCSI Adapters...”.
- 3) Click on Add.
- 4) The “Select SCSI Adapter Option” dialog will appear; select “Other (Requires a disk from a hardware manufacturer)” from the “Adapter:” list box.
- 5) Next, the “Insert Diskette” dialog box will appear; insert the Triones PIIX/PIIX3 Bus Master EIDE/ATAPI Driver disk into Drive A: and type in “a:\winnt35” and <Return>.
- 6) Next, the “Select OEM Option” dialog box will appear; select “PIIX/PIIX3 Bus Master EIDE/ATAPI” and click “OK”.
- 7) Next, the “Select SCSI Adapter Option” dialog box will appear; click on the “Install” button in the dialog box. If installation is successful, the “SCSI Adapter Setup” dialog box will reappear, and “PIIX/PIIX3 Bus Master EIDE/ATAPI” will be listed. That means the driver is installed.
- 8) Reboot your system to load the driver.

**WINDOWS 95**

- 1) Close any running applications.
- 2) Insert the floppy disk into drive A:.
- 3) Open "My Computer", double click "Drive A:".
- 4) Double click "Win95".
- 5) Double click the Setup program.
- 6) Then just follow the instruction.

**NOVELL 3.X&4.X**

- 1) Copy the driver TRIN4X.DSK or TRIN312.DSK to the subdirectory which holds the file SERVER.EXE.
- 2) Boot up the file server.
- 3) On the system console and on the command prompt state, type in:  
**load TRIN4X.DSK <Enter>** or **load TRIN312.DSK <Enter>**

You can also include the above command line into the start up file STARTUP.NCF to load the driver automatically.

**SCO UNIX**

- 1) Install SCO UNIX 3.2.x or SCO Open Desktop 3.x using the default SCO IDE driver.
- 2) Reboot your SCO UNIX system
- 3) Insert Triones supplied diskette into the 3.5 inch floppy drive of your system. Use doscp command to copy the file TRISCO.TAR to your /tmp directory. for example, if you are using floppy drive A, type: doscp a:/scounix/trisco.tar/tmp/trisco.tar

- 4) From root directory, type the following commands:  
**mkdir/inst**  
**cd /inst**  
**tar xvf /tmp/trisco.tar.**  
(Note: there is a period at the end of the last command.)
- 5) Now, insert a blank diskette into the floppy drive A and type:  
**tar cvf /dev/<your floppy drive A device name>.**  
(Note: there is a period at the end of the last command.)

Your floppy drive A device name could be:

- rfd096ds15,5.25 DSHD
- rfd0135ds18 3.5 DSHD
- rfd048ds9 5.25 DSDD
- rfd0135ds9 3.5 DSDD

Now you have already made an installation diskette for the device driver.

Start the installation by typing: **custom**.

- 6) Select the "Install" operation and then follow the guided steps.  
When prompted "Do you want to set the device configuration (y/n)", answer "n".
- 7) Reboot your SCO UNIX system.

## **SCO UNIX 5.0**

- 1) Install SCO UNIX 5.0 using the default SCO IDE driver.
- 2) Reboot your SCO UNIX system
- 3) Insert Triones supplied diskette into the 3.5 inch floppy drive of your system. Use doscp command to copy the file TRISCO.TAR to your /tmp directory. for example, if you are using floppy drive A, type: doscp a:/scounix/trisco5.tar/tmp/trisco5.tar

- 4) From root directory, type the following commands:  
**mkdir/inst**  
**cd /inst**  
**tar xvf /tmp/trisco.tar.**  
(Note: there is a period at the end of the last command.)
- 5) Install the driver by typing:  
**./install**
- 6) Reboot your SCO UNIX system..

### **OS/2 2.0 and WARP 3.X**

- 1) Copy TRIOS2.ADD from the floppy diskette to your hard disk under the OS2 directory (i.e., C:\OS2).
- 2) Edit C:\CONFIG.SYS to replace **BASEDEV=IBM1S506.ADD** with **BASEDEV=TRIOS2.ADD**
- 3) Reboot the system.

*Note: For more information (like parameter settings, driver de-installation, etc.), please refer to the README.TXT file on the diskette.*